

1028850

Cat-back 2-1/2" dual kit with turbo mufflers

Application: 1996-1997 Ford Mustang 4.6L GT

Kit Includes:

- | | |
|---|--|
| 2) rear 2-1/2" hanger clamps-#2926 | 1) left extension pipe |
| 1) left front 2-1/2" hanger clamps-#2867 | 1) right extension pipe |
| 1) right front 2-1/2" hanger clamps-#2866 | 1) left front tail pipe #1028850L-1 |
| 8) fender washers (33219) | 1) right front tail pipe #1028850R-1 |
| 4) 2-1/2" clamps | 2) #920 turbo muffler offset/offset 2-1/2" |
| 2) SF67008 2 bolt 2-1/2" flanges | 1) left rear tail pipe #1028853 |
| | 1) right rear tail pipe #1028854 |

DANGER WARNING: Should the purchaser decide to install this exhaust product at home, be warned that pleasure car or light duty truck/van "bumper" jacks are intended for emergency use only. The use of frame contact jack stands in conjunction with a floor jack as main support is highly recommended to minimize accidental dropping of a vehicle while the installation proceeds.

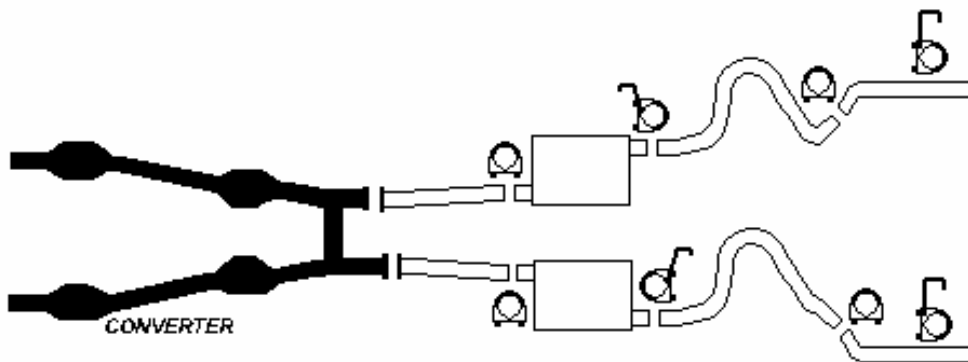
Limitation of liability--Disclaimers: The regulation of emissions production, noise levels and safety standards is undertaken by the federal government, each of the fifty state legislatures, and by many local municipalities, towns and counties.

The manufacturer makes no warranties of merchantability, of fitness for a particular purpose, or that its products are approved for general use, or that its products comply with laws, regulations or ordinances in the states where they may be sold to the ultimate purchaser, the consumer.

The entire risk as to the conformity of this product in any such state and as to repair, should the product prove to be defective or non-conforming, is on the retail purchaser, the buyer, the ultimate consumer of such product and it is not upon the seller, distributor, or manufacturer.

In this connection, retail purchaser, the buyer, the ultimate consumer assumes the burden of the entire cost of any and all necessary service, alterations, and or repair.

The foregoing statement limits the liability of the manufacturer.



Heartthrob exhaust systems are manufactured by Heartthrob Exhaust--Litchfield, MN

Email us at mike@heartthrobexhaust.com with any questions.

www.heartthrobexhaust.com

320-693-0222

Part # 1028850

Instructions:

NOTE: DO NOT TIGHTEN ANY BOLTS OR CLAMPS UNTIL THE LAST STEP!!

- 1) Support the vehicle in a safe manner, using a shop hoist or frame contact jack stands on a level surface. Remove the old exhaust system behind the converter/h-pipe, where the old system bolts to the converter/h-pipe. You will need to cut the original exhaust system in pieces to remove it from the vehicle. Use a lubricant or heat the nuts for easier removal (you need to re-use the original studs and nuts at the flanges).
- 2) Install the left extension pipe (shortest pipe) to the converter/h-pipe, and slide a SF67008 flange over the pipe. Connect the old converter flange to the new flange using the original studs and nuts for each side of the flange. Tighten the assembly slightly, but do not over tighten at this time. It may be necessary to pivot both extension pipes to gain proper clearance of the muffler and tail pipe.
- 3) Install the right extension pipe (longer pipe) and repeat step 2) for the right side.
- 4) Install the mufflers to the extension pipes using 2-1/2" clamps on the front. Do not tighten at this time. **NOTE:** The mufflers are reversible.
- 5) Install the left front tail pipe to the muffler using the left front hanger clamp in the O.E. rubber hanger mount (it is the longer of the two front hanger clamps—see illustration). Attach the clamp portion of the hanger to the connecting point of the tail pipe and muffler outlet.
- 6) Install the left rear tail pipe to the left front tail pipe using a 2-1/2" clamp.
- 7) Repeat step 5) for the right side, using the right front hanger clamp (shorter hanger).
- 8) Repeat step 6) for the right side.
- 9) Install a rear hanger clamp to the left rear tail pipe and connect to the O.E. rubber hanger mount.
- 10) Repeat step 9) for the right tail pipe.
- 11) Trim your tail pipes to your desired length and style of cut, if you prefer.
- 12) Check for clearance of the frame, body, suspension members, and of all brake and fuel lines. When you are satisfied with how the system hangs, tighten all bolts and clamps.



BUILD SHEET FOR: 2-1/2" MUSTANG CAT-BACK

PART #'S: 1028850

- _____ 1) HARDWARE KIT
- _____ 1) RIGHT EXTENSION PIPE
- _____ 1) LEFT EXTENSION PIPE
- _____ 1) RIGHT FRONT TAIL PIPE #1028850L1
- _____ 1) RIGHT REAR TAIL PIPE #1028850R1
- _____ 1) LEFT FRONT TAIL PIPE #1028853
- _____ 1) LEFT REAR TAIL PIPE #1028854
- _____ 2) # 920 TURBO MUFFLER O/O 2-1/2"

INSPECTED BY: _____

DATE: _____

INSPECTED BY: _____

DATE: _____

BUILD SHEET FOR: 2-1/2" MUSTANG CAT-BACK

PART #'S: 1028850

- _____ 1) HARDWARE KIT
- _____ 1) RIGHT EXTENSION PIPE
- _____ 1) LEFT EXTENSION PIPE
- _____ 1) RIGHT FRONT TAIL PIPE #1028850L1
- _____ 1) RIGHT REAR TAIL PIPE #1028850R1
- _____ 1) LEFT FRONT TAIL PIPE #1028853
- _____ 1) LEFT REAR TAIL PIPE #1028854
- _____ 2) # 920 TURBO MUFFLER O/O 2-1/2"

INSPECTED BY: _____

DATE: _____

INSPECTED BY: _____

DATE: _____