

1028875

Cat-back 3" dual kit with performance mufflers

2005-2006 Ford Mustang 4.6L GT

Kit Includes:

- 1) left over the axle pipe--#1028877
- 1) right over the axle pipe--#1028876
- 1) #1028878 performance muffler right
- 1) #1028879 performance muffler left
- 2) 3" clamps

DANGER WARNING: Should the purchaser decide to install this exhaust product at home, be warned that pleasure car or light duty truck/van "bumper" jacks are intended for emergency use only. The use of frame contact jack stands in conjunction with a floor jack as main support is highly recommended to minimize accidental dropping of a vehicle while the installation proceeds.

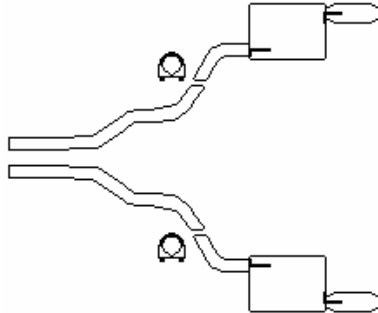
Limitation of liability--Disclaimers: The regulation of emissions production, noise levels and safety standards is undertaken by the federal government, each of the fifty state legislatures, and by many local municipalities, towns and counties.

The manufacturer makes no warranties of merchantability, of fitness for a particular purpose, or that its products are approved for general use, or that its products comply with laws, regulations or ordinances in the states where they may be sold to the ultimate purchaser, the consumer.

The entire risk as to the conformity of this product in any such state and as to repair, should the product prove to be defective or non-conforming, is on the retail purchaser, the buyer, the ultimate consumer of such product and it is not upon the seller, distributor, or manufacturer.

In this connection, retail purchaser, the buyer, the ultimate consumer assumes the burden of the entire cost of any and all necessary service, alterations, and or repair.

The foregoing statement limits the liability of the manufacturer.



Instructions: **NOTE: DO NOT TIGHTEN ANY CLAMPS UNTIL THE LAST STEP!!**

- 1) Support the vehicle in a safe manner, using a shop hoist or frame contact jack stands on a level surface. Remove the old exhaust system behind the converter/h-pipe, where the old system clamps to the converter/h-pipe.
- 2) Install the i.d. end of the left over the axle pipe to the converter/h-pipe, using the o.e. clamp. Tighten the assembly slightly, but do not over tighten at this time. It may be necessary to pivot both over the axle pipes to gain proper clearance of the mufflers.
- 3) Install the right over the axle pipe and repeat step 2) for the right side.
- 4) Install the left and right mufflers to the over the axle pipes using 3" clamps, attach the wire hangers on the mufflers to the o.e. mounts above.
- 5) Check for clearance of the frame, body, suspension members, and of all brake and fuel lines. When you are satisfied with how the system hangs, tighten all clamps.



Heartthrob exhaust systems are manufactured by Heartthrob Exhaust--Litchfield, MN

Email us at mike@heartthroboxhaust.com with any questions. www.heartthroboxhaust.com

320-693-0222

BUILD SHEET FOR: 3" MUSTANG CAT-BACK

PART #'S: 1028875,

- _____ 1) **HARDWARE KIT**
- _____ 1) **RIGHT OVER THE AXLE PIPE #1028876**
- _____ 1) **LEFT OVER THE AXLE PIPE #1028877**
- _____ 1) **RIGHT MUFFLER #1028878**
- _____ 1) **LEFT MUFFLER #1028879**

INSPECTED BY: _____

DATE: _____

INSPECTED BY: _____

DATE: _____

BUILD SHEET FOR: 3" MUSTANG CAT-BACK

PART #'S: 1028875,

- _____ 1) **HARDWARE KIT**
- _____ 1) **RIGHT OVER THE AXLE PIPE #1028876**
- _____ 1) **LEFT OVER THE AXLE PIPE #1028877**
- _____ 1) **RIGHT MUFFLER #1028878**
- _____ 1) **LEFT MUFFLER #1028879**

INSPECTED BY: _____

DATE: _____

INSPECTED BY: _____

DATE: _____